

Automatic insect control product sprayer



ZanzStop



130



TECHNICAL DETAILS

ZanzStop is an automated spray unit with a nozzle system able to spray large areas with insecticides or insect repellents .

The system is made of top quality components and the concentration of product to be sprayed can be regulated precisely .

The control module enables the spraying process to be automated.

The compact structure is made from steel and ABS , the control panel is accessible from the outside .

ZanzStop is very easy to use.

Once the area to be sprayed has been identified, a distribution system is constructed with a special PTFE hose, including every 3 m a practical T-junction to which a microspray nozzle with non-drip system will be fitted .

ZanzStop is the only system allowing automatic control of spraying zones, each up to **132 mt long with a maximum of 44 nozzles** .

At this point the product to be distributed is inserted into the internal tank and the system can be started.

ZanzStop, at this point it is able to automatically carry out the entire distribution cycle.

On the control panel there is a practical connector for recharging the battery and a LED that indicates the charge level.



ZanzStop

130



WHERE IT CAN BE USED :

ZanzStop is particularly useful in all open space :

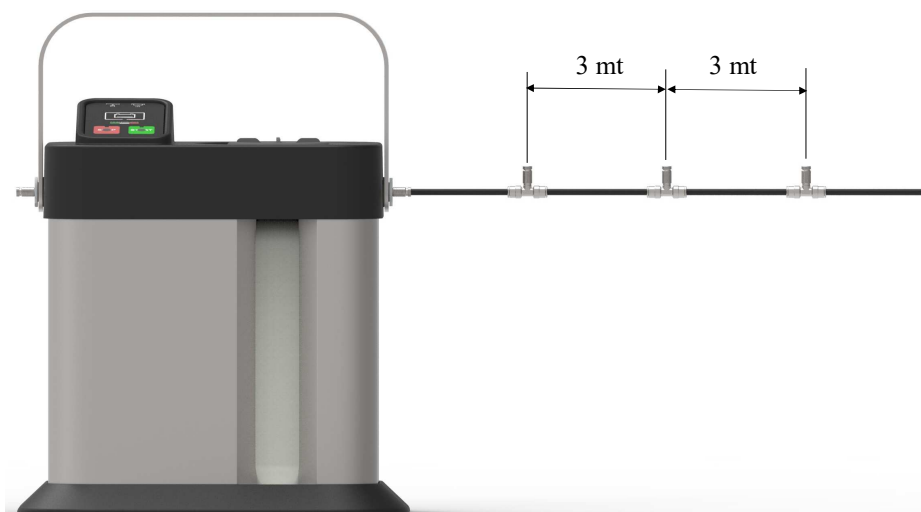
- ✓ Parks
- ✓ Camping
- ✓ Tourist Resorts
- ✓ Theatres
- ✓ Private and Public Garden
- ✓ Flowerbeds
- ✓ Residence
- ✓ Hospitals
- ✓ Nursery Homes
- ✓ Pools
- ✓ Spa
- ✓ Gardens
- ✓ Hotels
- ✓ Bars
- ✓ Restaurants
- ✓ Agritourisms
- ✓ Parkings
- ✓ Local sanitation of multi zone conveyors belts
- ✓ Lubrication of conveyor belts

it is important to respect the manufacturer's instructions for the particular product used.

IMPORTANT: some products can be sprayed only in places where there are no people .

Some repellent products can be used without difficulty in the presence of people and in combination with the jet of mist can create a physical barrier to the passage of insects .

For clarification or further information, contact your local dealer .



ZanzStop

130



TECHNICAL DETAILS

- ✓ Electro pump : 12 V
- ✓ Pressure : 7 Bar Max
- ✓ Floe rate: 2,2 Lt/min Max
- ✓ Surface treated : It depends by the q,ty of the nozzle mounted
- ✓ Programming : timed programming
- ✓ Dimensions : 395x265x503mm (L x H x P)
- ✓ Weight : 8,3 kg
- ✓ Materials : ABS+Stell
- ✓ Dosage : 100 ml of product in 5 Lt/H2O

OPTIONAL ACCESSORIES

- | | |
|---------------------------------------|------------------------|
| Nebulizer nozzle with anti-drip valve | Cod. 40.0138.00 |
| Brass Nozzle holder Slip Lock | Cod. 40.0135.00 |
| PVDF Hose 1/4" of 25 mt | Cod. 20.0140.18 |

PRODUCT CODE

- Cod. 10.0026.00** ZanzStop
- Cod. 10.0139.00** 25 mt extension kit with 8 nozzles for ZanzStop